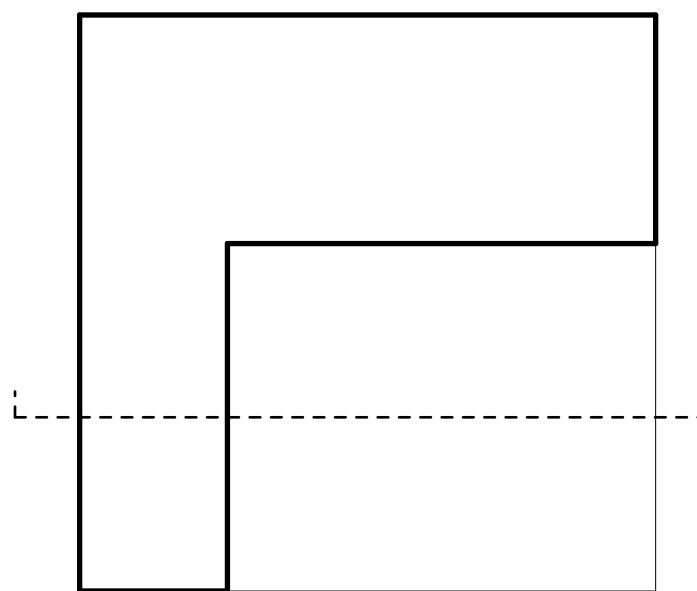
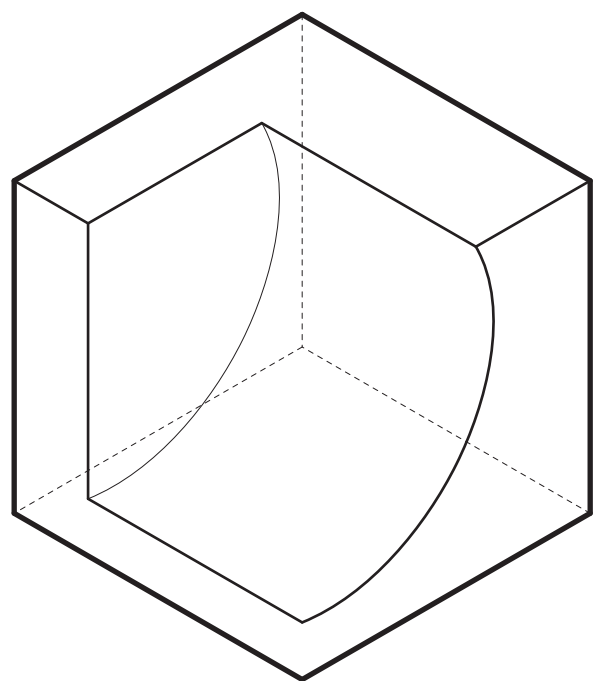
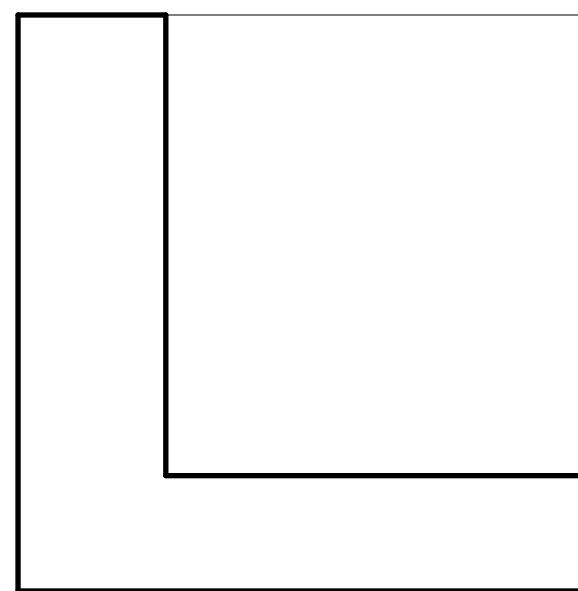


**1** Scoop

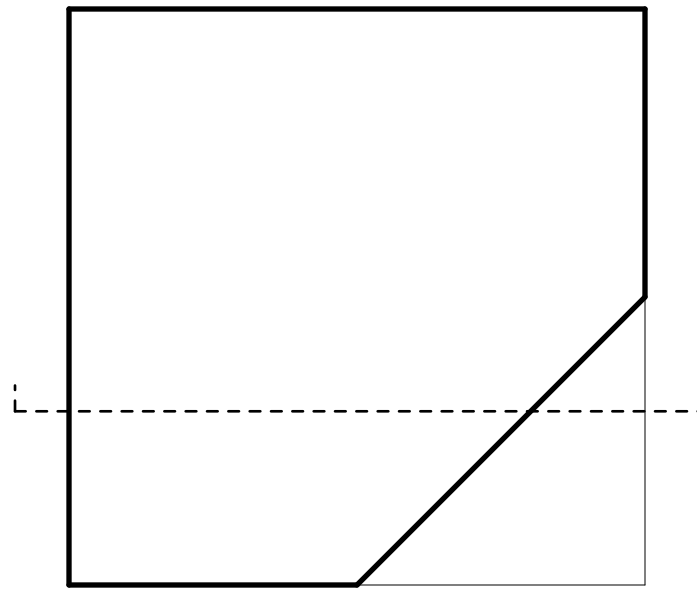
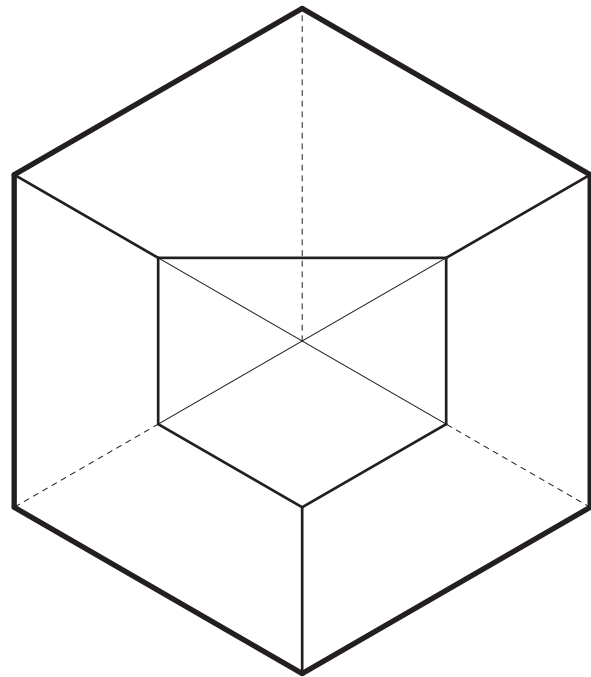


Plan

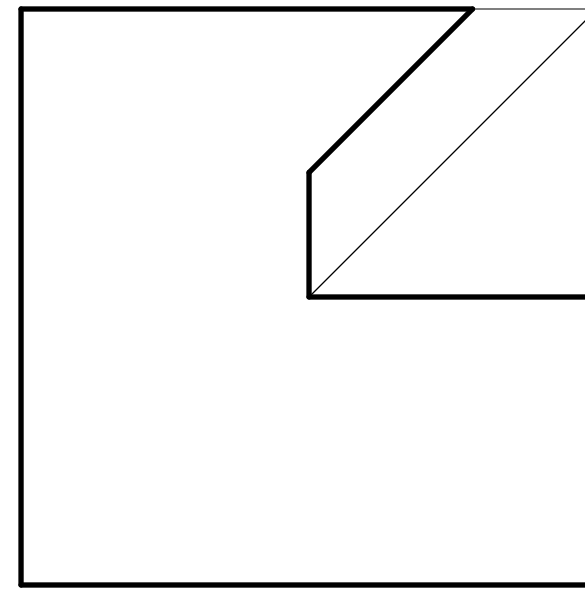


Section

2 Dent I

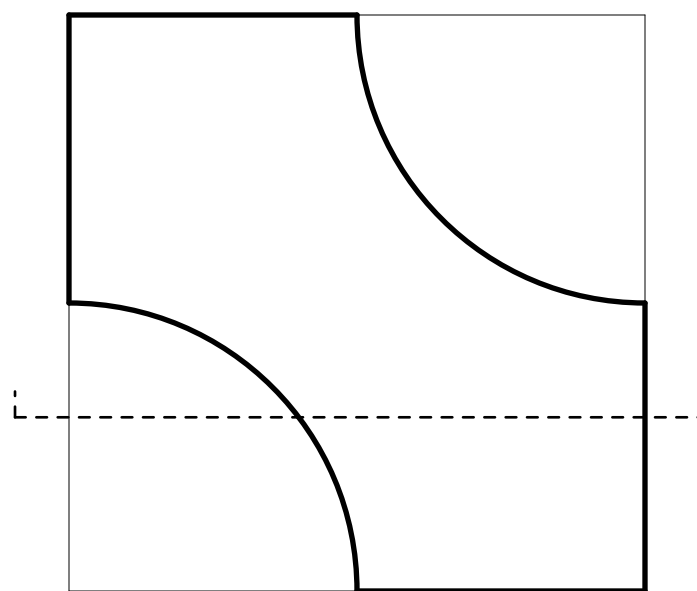
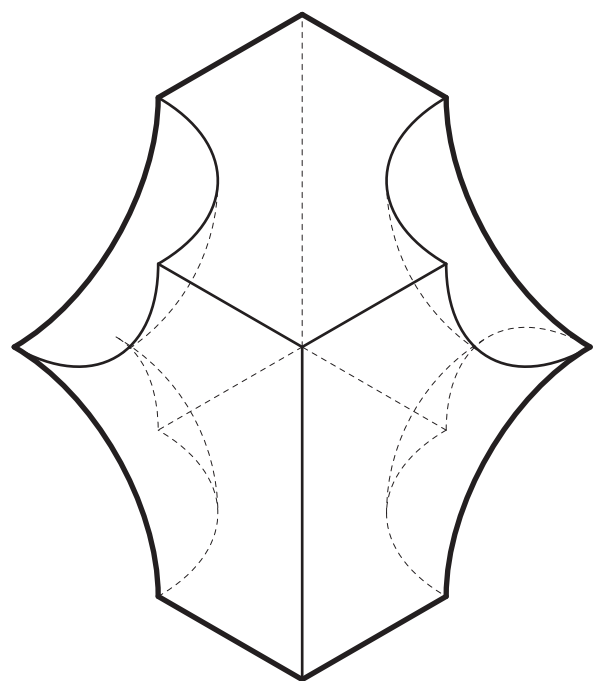


Plan

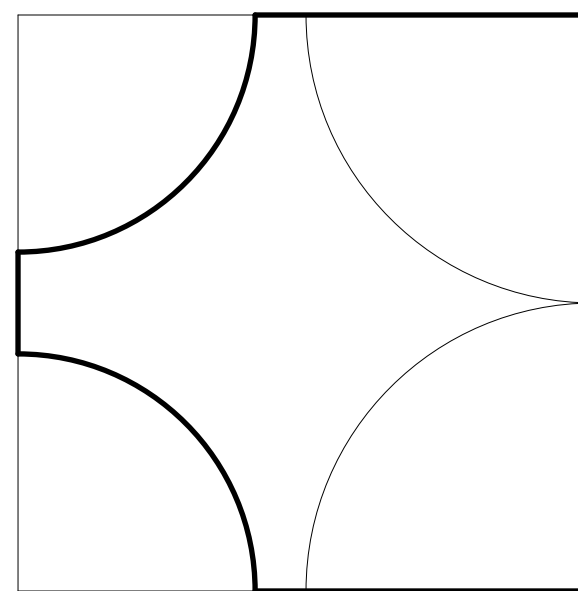


Section

3 Bite

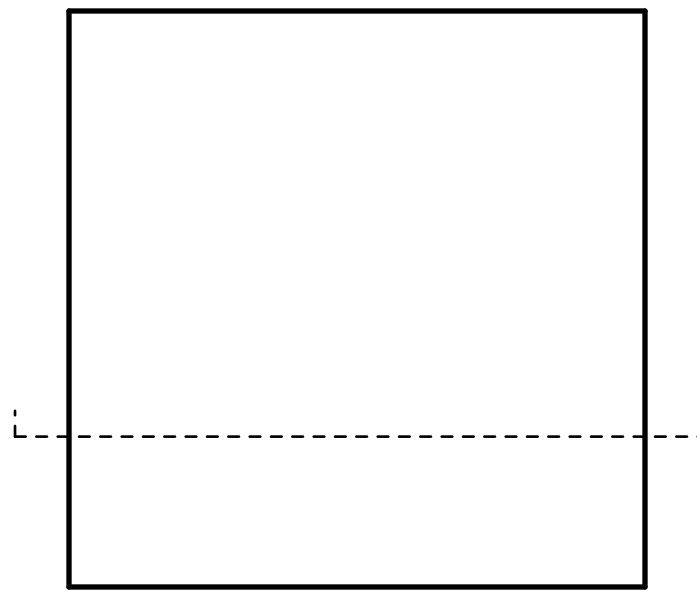
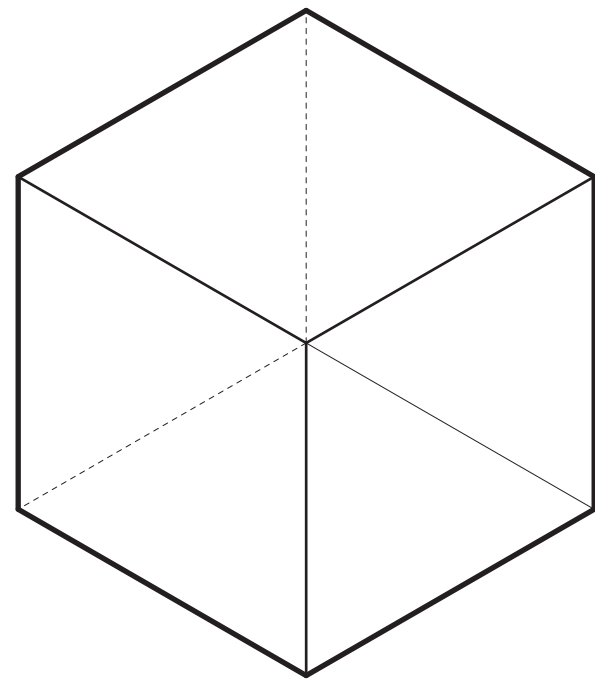


Plan

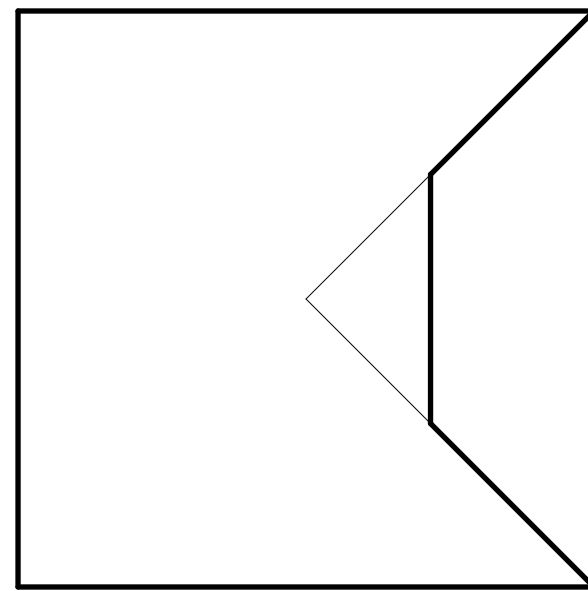


Section

**4** Dent II

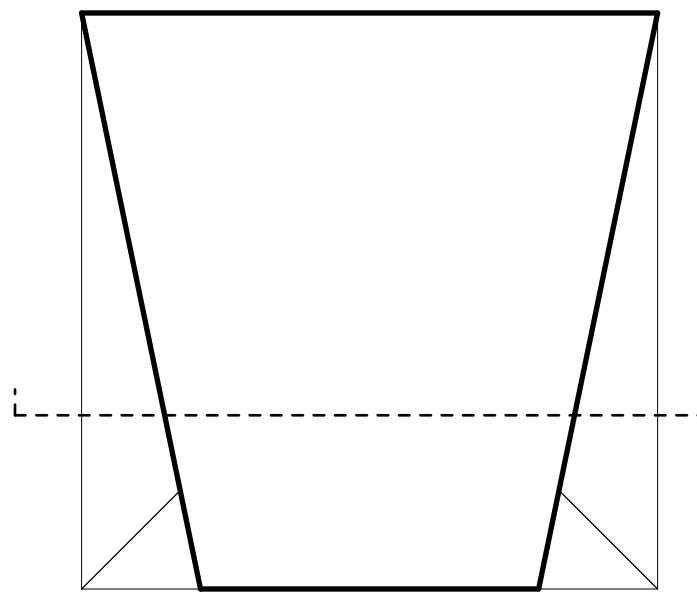
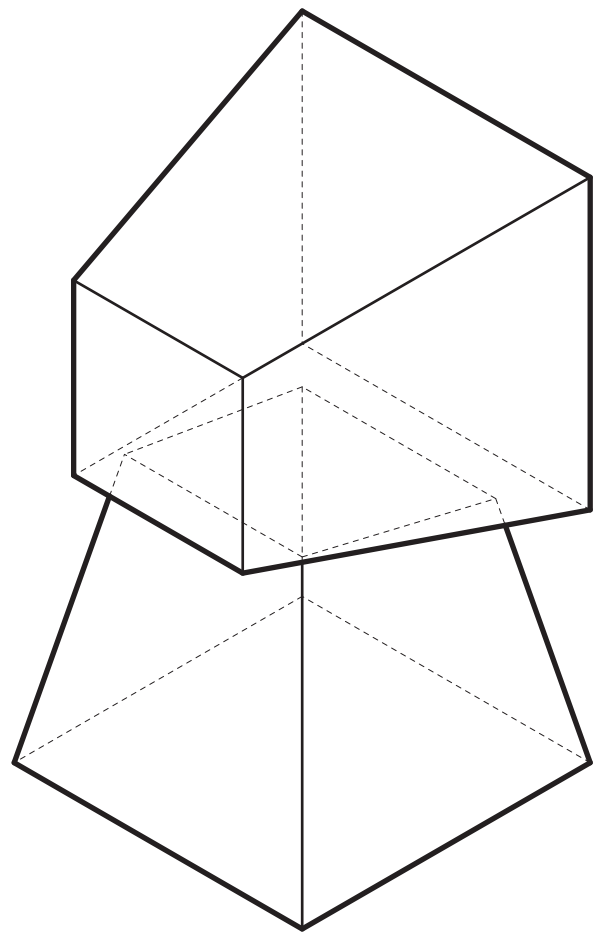


Plan

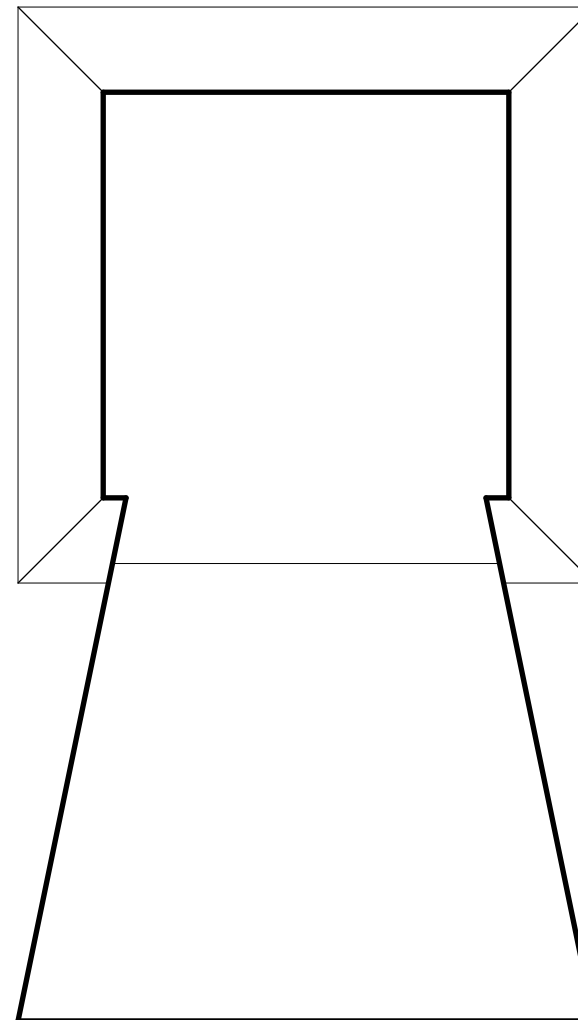


Section

5 Impale

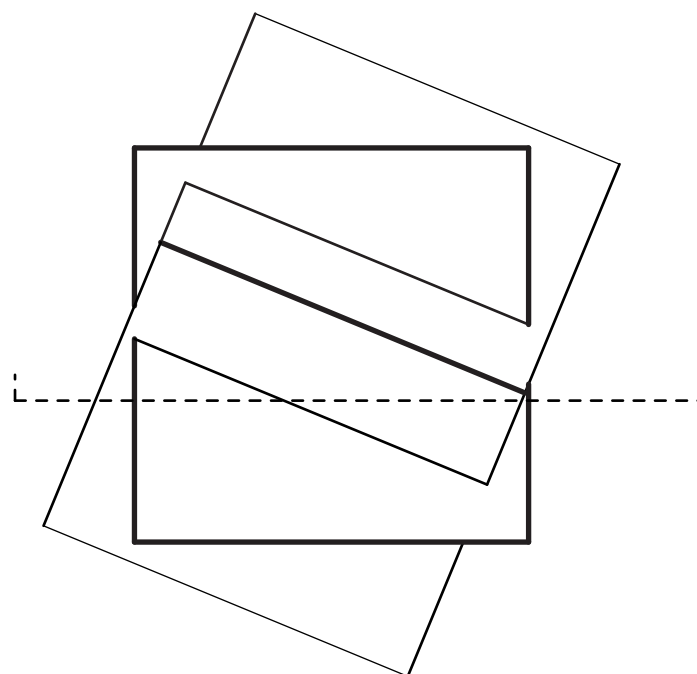
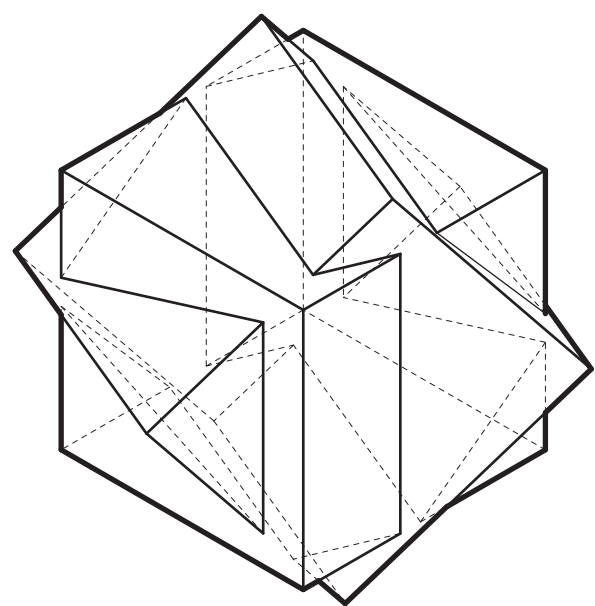


Plan

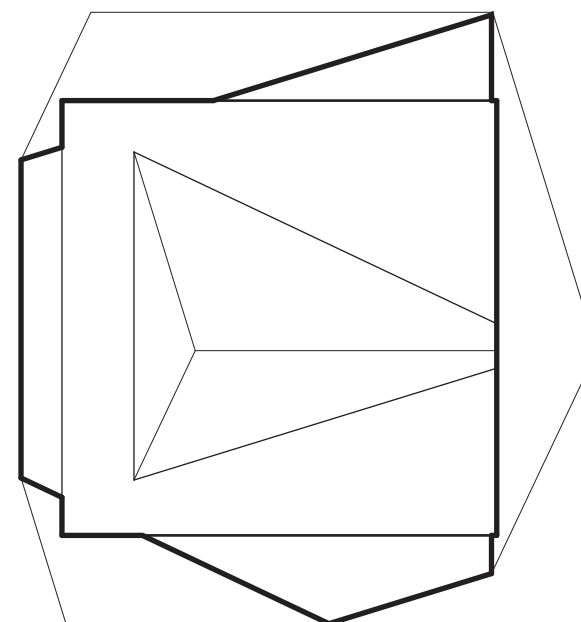


Section

6 Meld

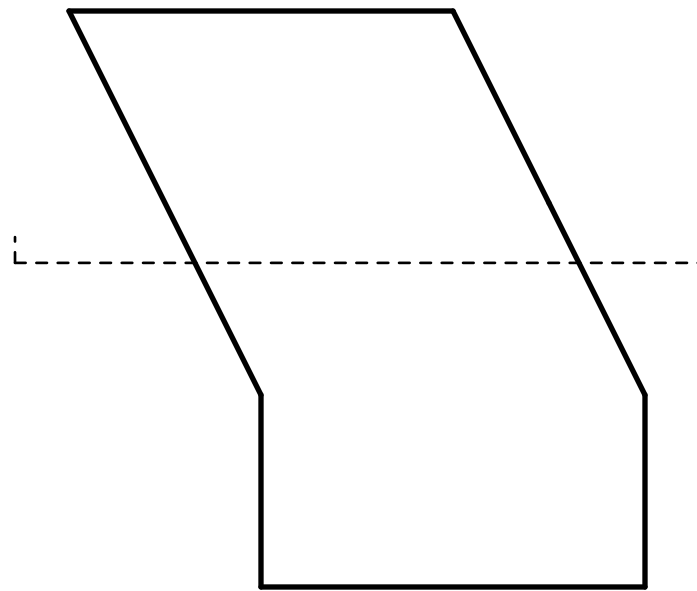
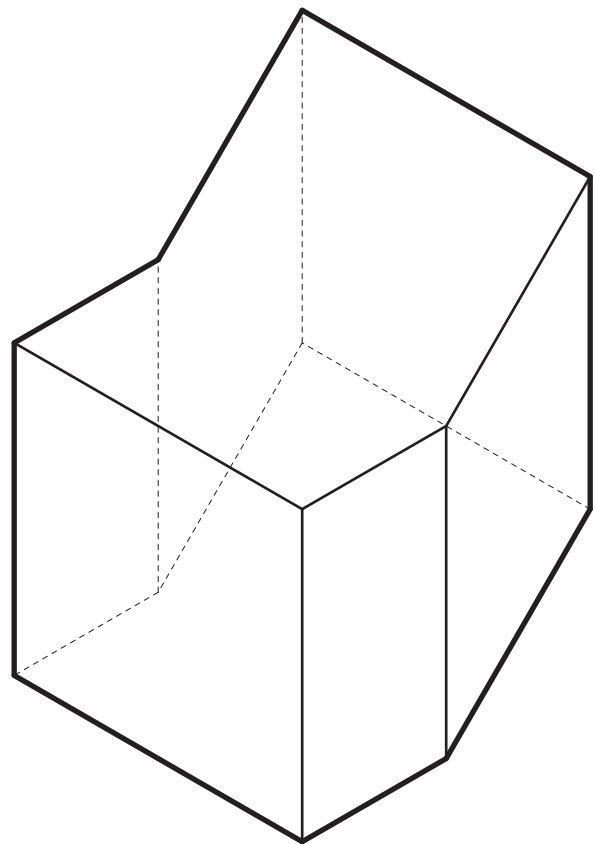


Plan

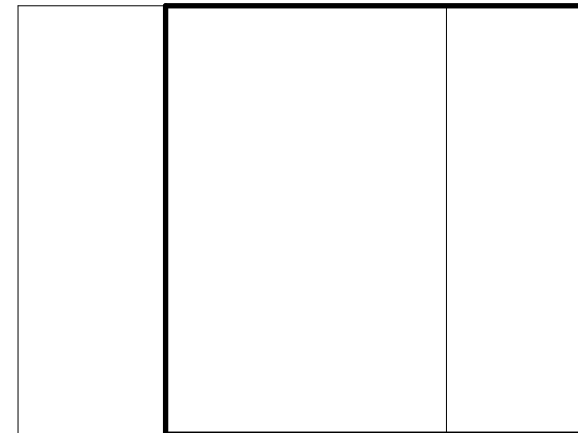


Section

7 Bend



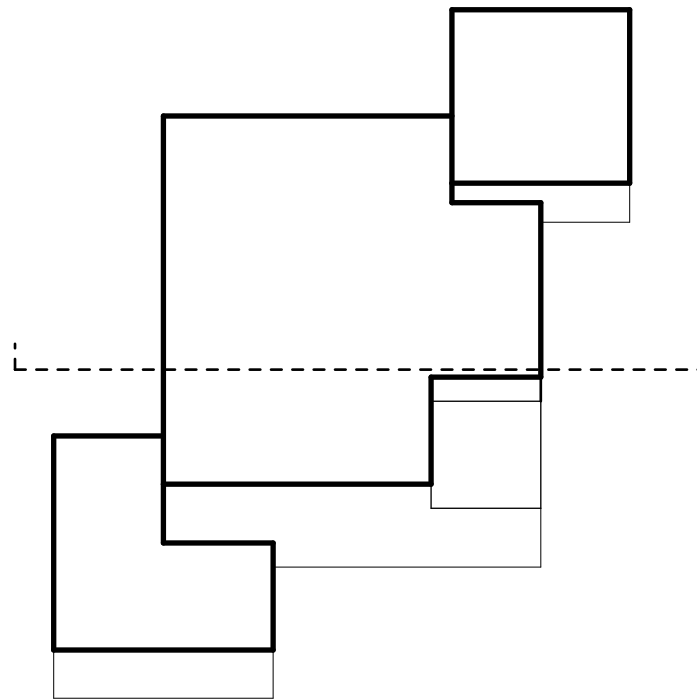
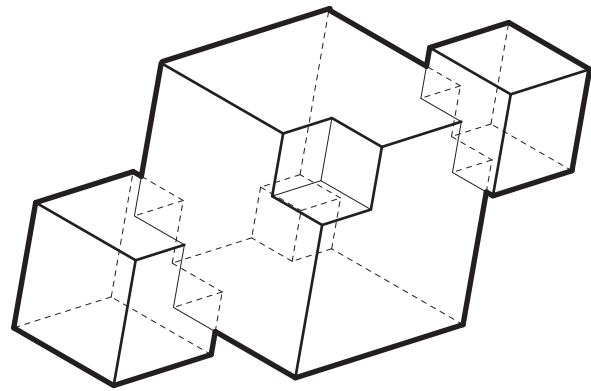
Plan



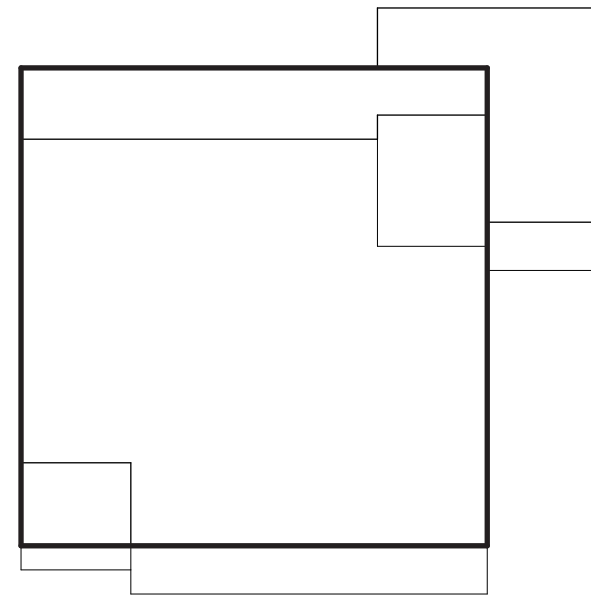
Section



8 Cut off +  
Re-attach

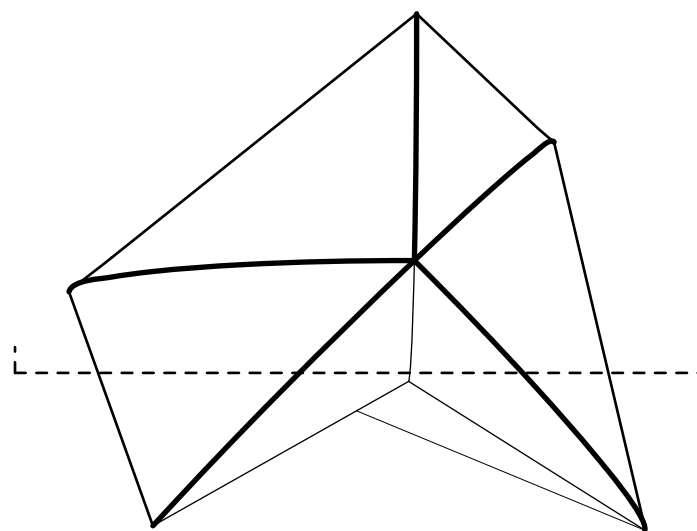
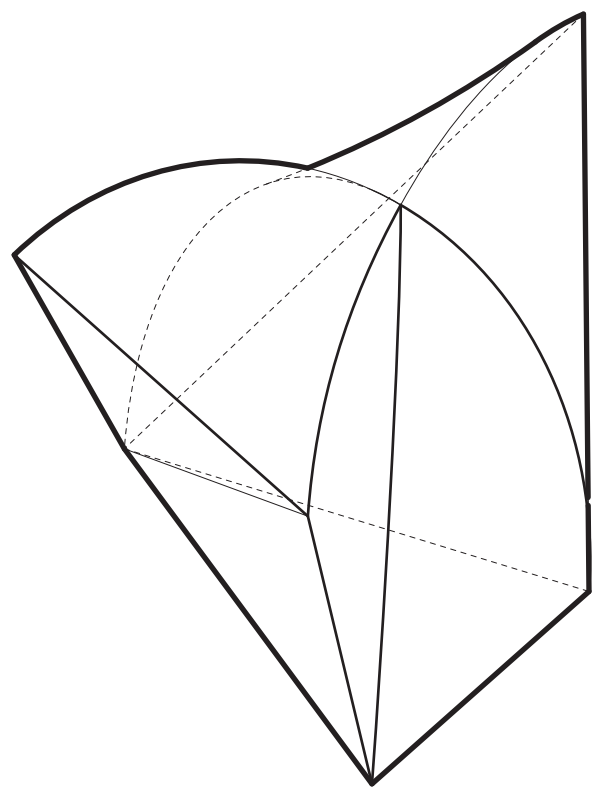


Plan

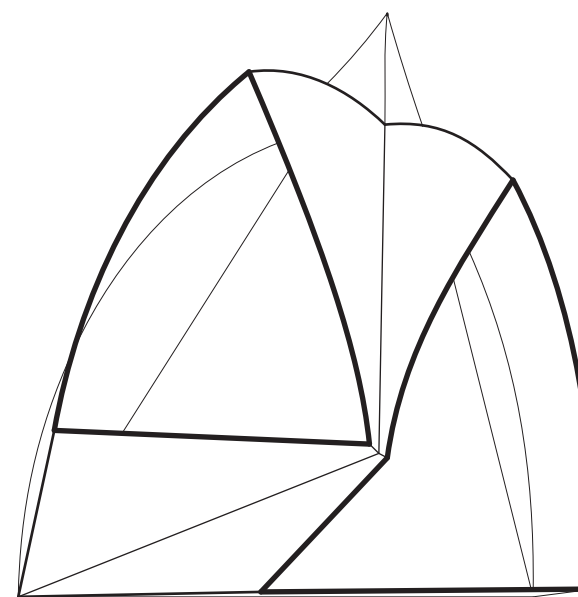


Section

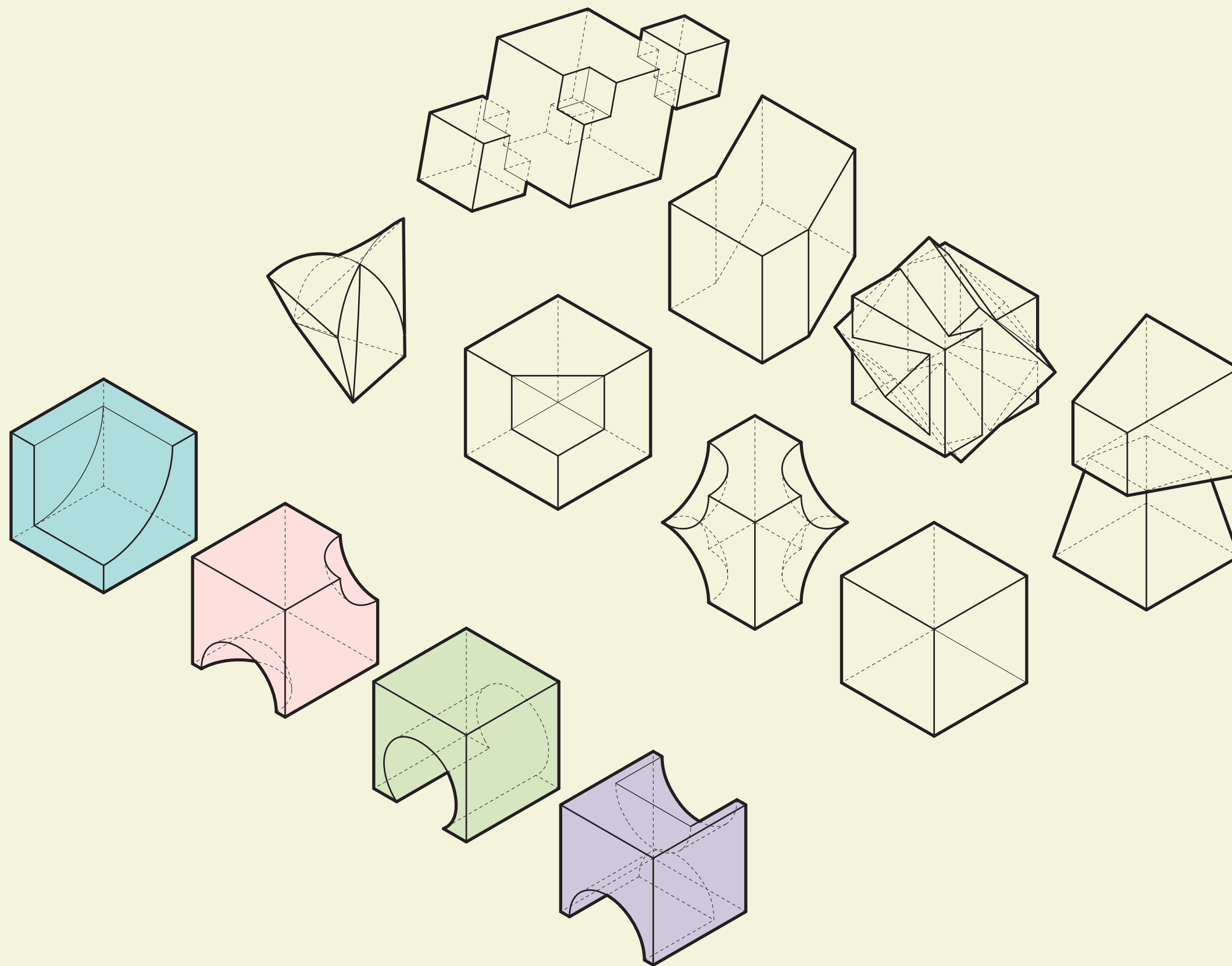
# 9 Loft I



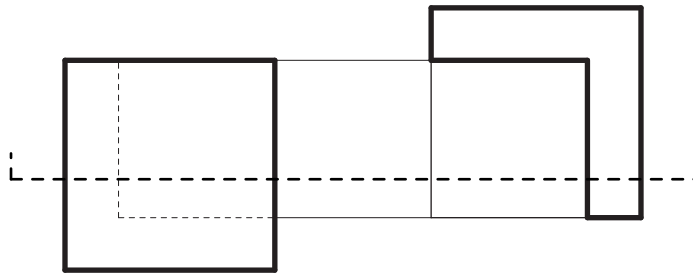
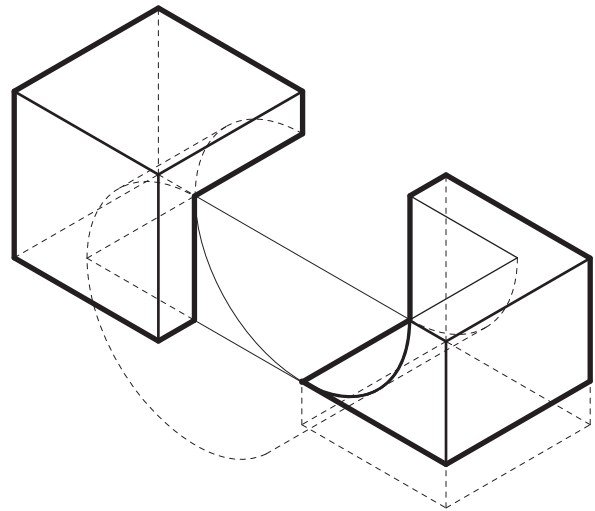
Plan



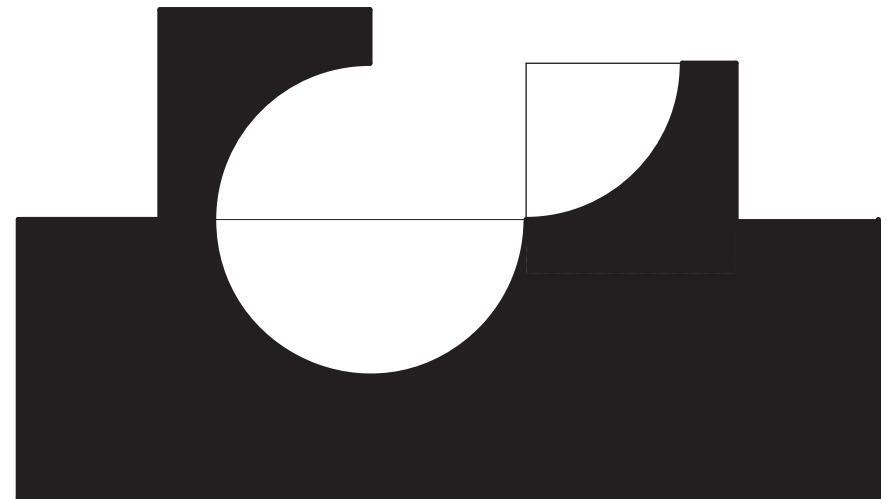
Section



1

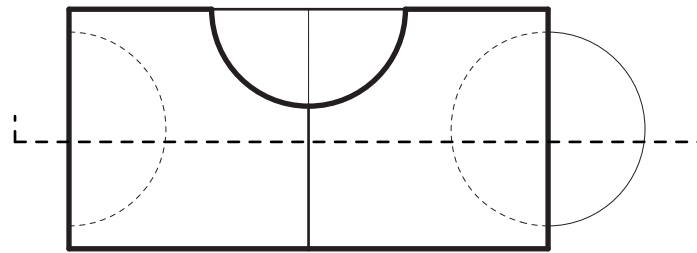
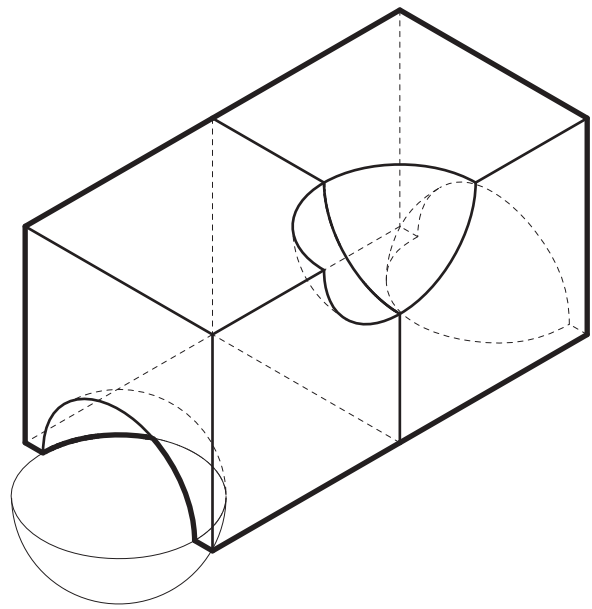


Plan

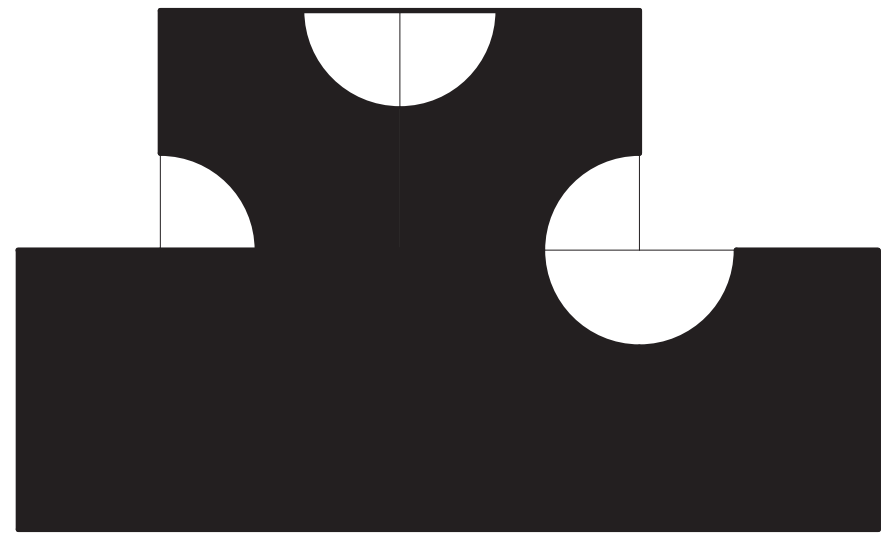


Section

2

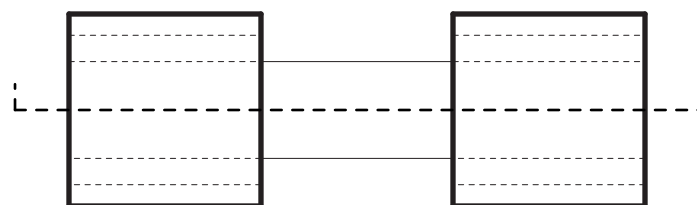
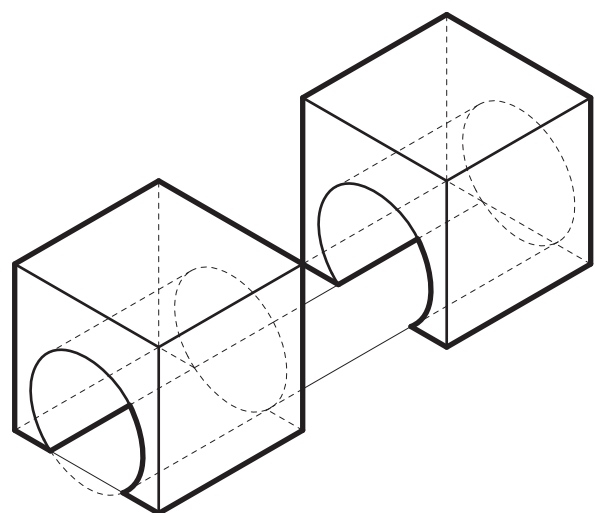


Plan

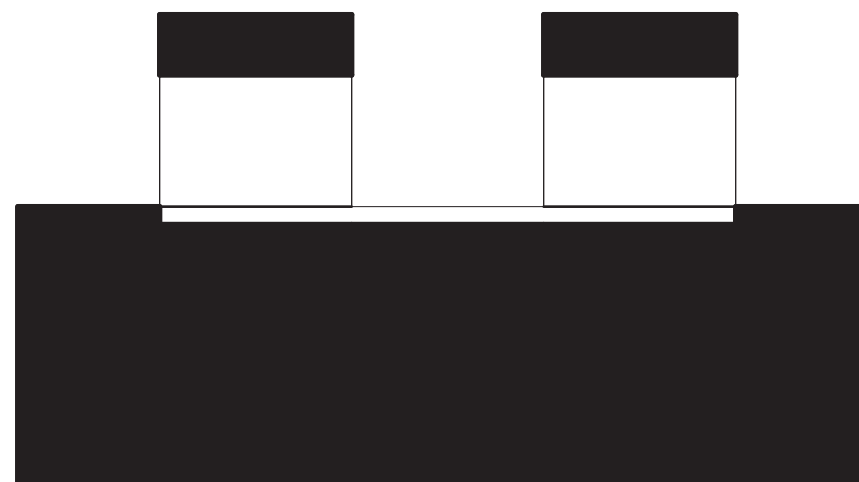


Section

3

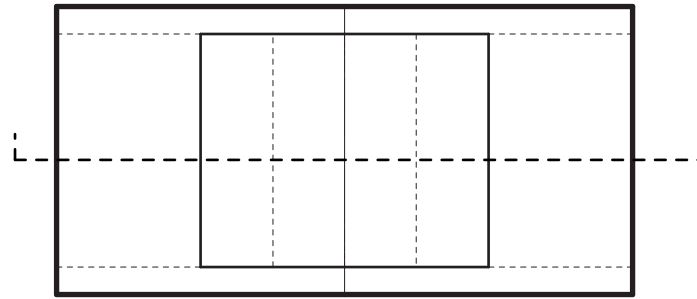
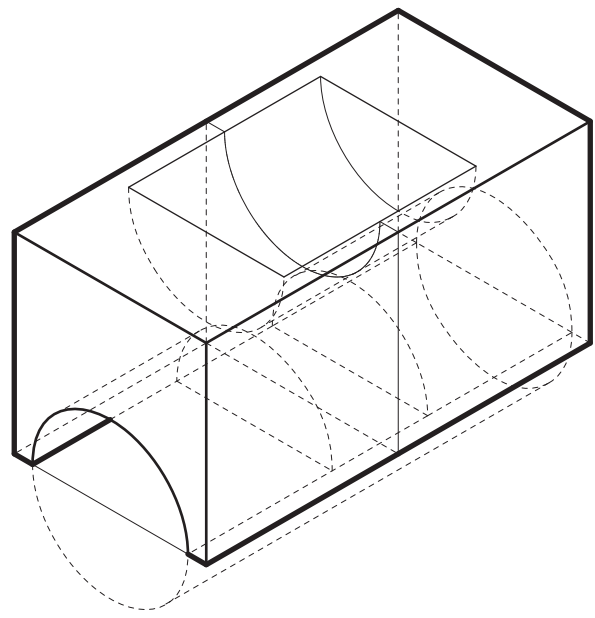


Plan

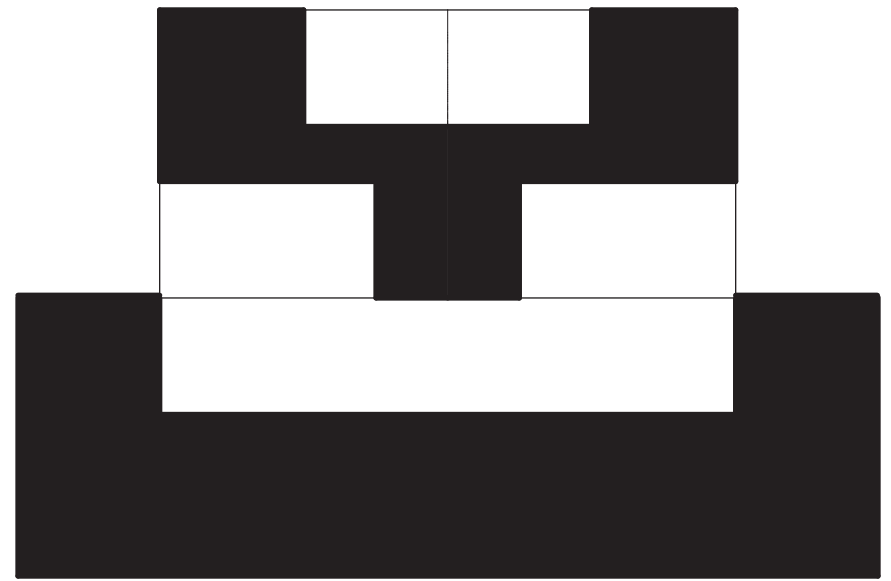


Section

4



Plan



Section

